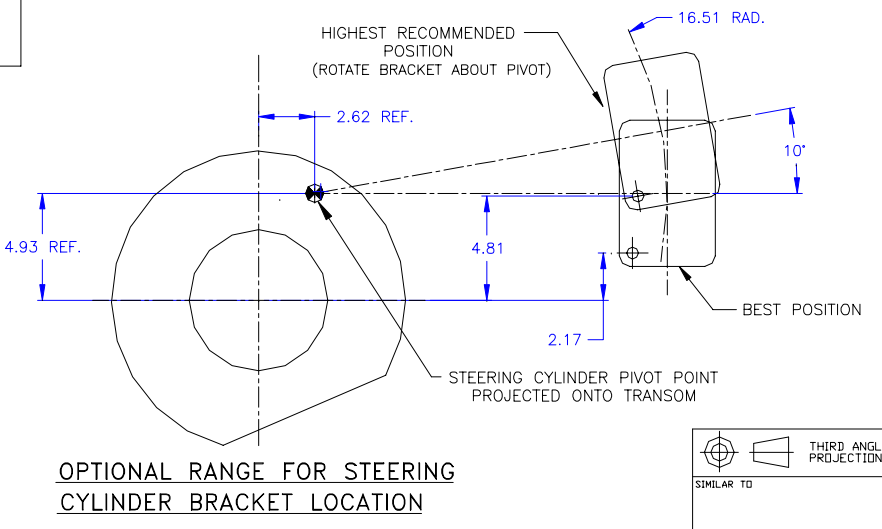
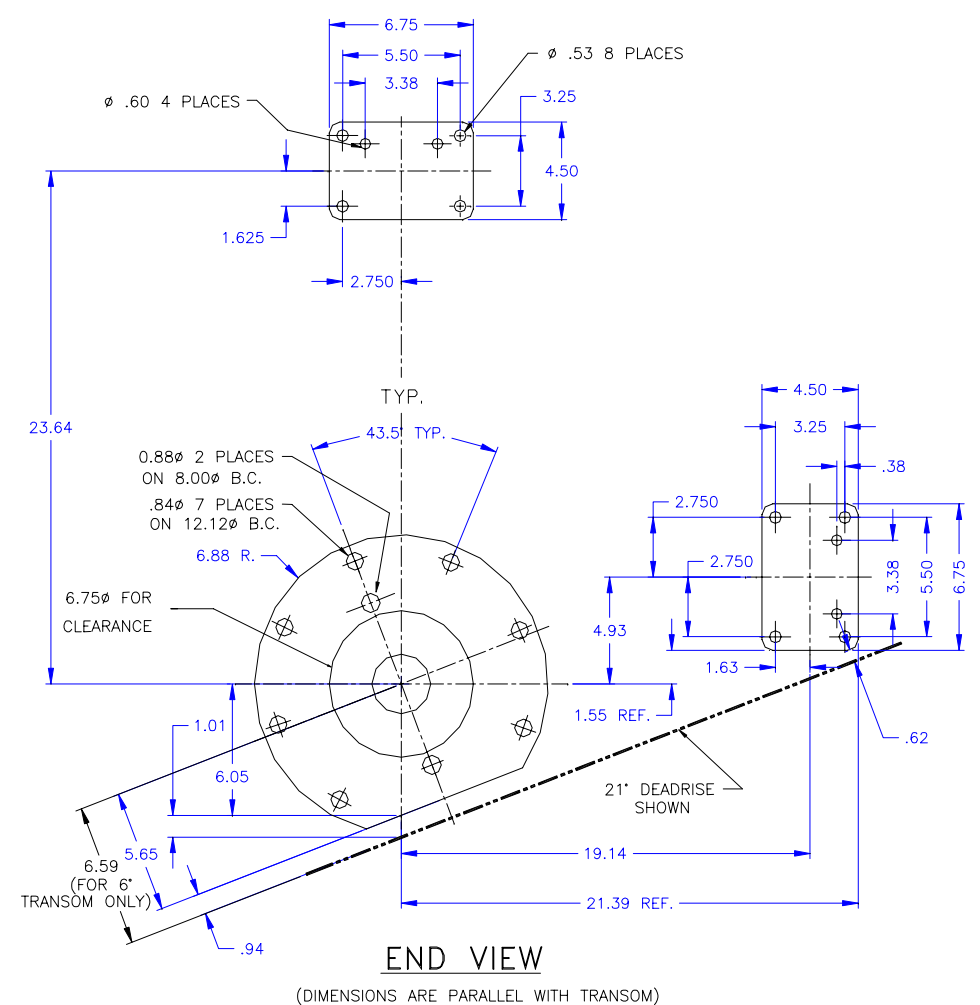
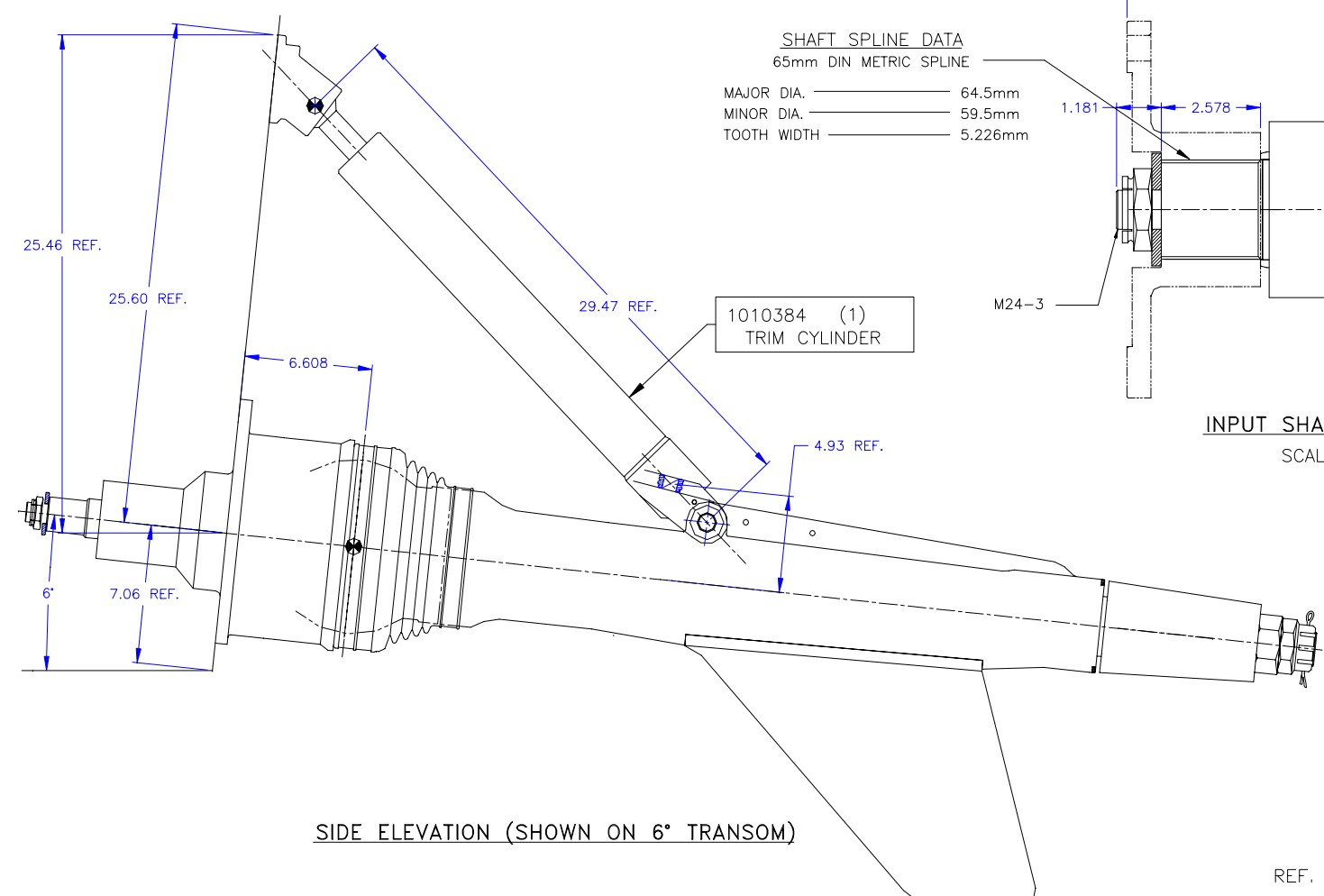


- NOTES:
1. THIS DRAWING IS TO BE USED AS A GUIDE ONLY. PLEASE REFER TO THE TWIN DISC INSTALLATION MANUAL (P/N 1019874) FOR INSTALLING THE DRIVE AND CYLINDERS.
 2. TRANSOM ANGLE FOR ASD UNITS TO BE 6 DEGREES TO VERTICAL, PLUS OR MINUS 1 DEGREE, AS SHOWN IN THE SIDE VIEW. A MOUNTING WEDGE IS REQUIRED FOR TRANSOM ANGLES OTHER THAN 6 DEGREES.
 3. BACKING PLATES (P/N 1019731) OF SAME APPROXIMATE DIMENSIONS AS SHOWN FOR EQUIPMENT FOOTPRINT ARE SUPPLIED. ADEQUATE CLEARANCE INSIDE VESSEL TRANSOM SHOULD BE PROVIDED.
 4. MEASURE AND DRILL ALL HOLES PERPENDICULAR TO TRANSOM.



SHEET 1 INCH DIMENSIONS
SHEET 2 METRIC DIMENSIONS
TWIN DISC INCORPORATED RACINE, WI 53403 - USA
1019816
SHEET 1 OF 2 REV ---

REV	SHEET	ZONE	CH. NO.	DATE	REV	SHEET	ZONE	CH. NO.	DATE

NOTICE! THIS PRINT CONTAINS PROPRIETARY INFORMATION AND IS NOT TO BE USED IN ANY MANNER DETRIMENTAL TO THE INTERESTS OF TWIN DISC, INCORPORATED RACINE, WI 53403 - USA THIS NOTICE IS NOT INTENDED TO NULLIFY OR LIMIT RIGHTS GRANTED TO THE U.S. GOVERNMENT OR OTHERS BY CONTRACT.

MATERIAL	WEIGHT LBS.	W ³ LBS. IN ³	UNLESS OTHERWISE SPECIFIED MACHINED DIMENSIONS XX ±0.030 XXX ±0.010 XXXX ±0.005	DATE 3-7-00
HEAT TREAT	FIRST USE	ASSY.	ALL ANGULAR TOLERANCES ±1°	SCALE 1/4=1
SURFACE TREATMENT	NAME	MODEL ASD 11	GEOMETRIC TOLERANCING PER ANSI Y14.5M 1982	DRN. D. MEYERS
INSTALLATION			CHK. FN	APPD. FN