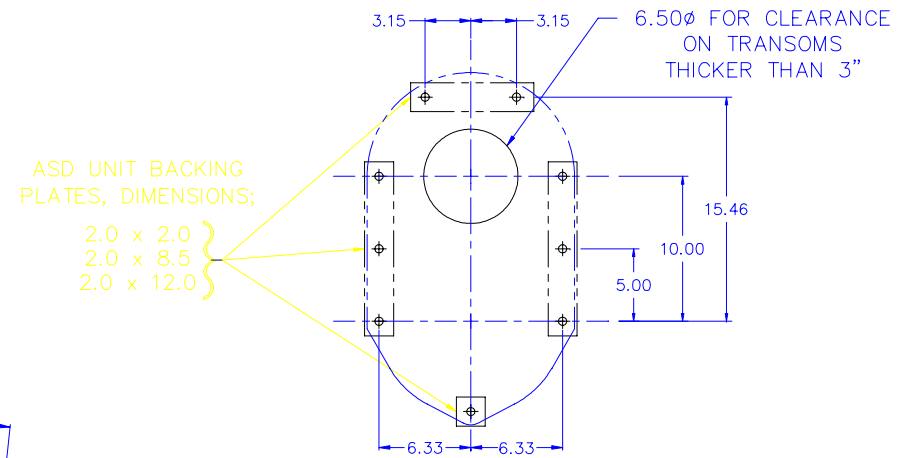
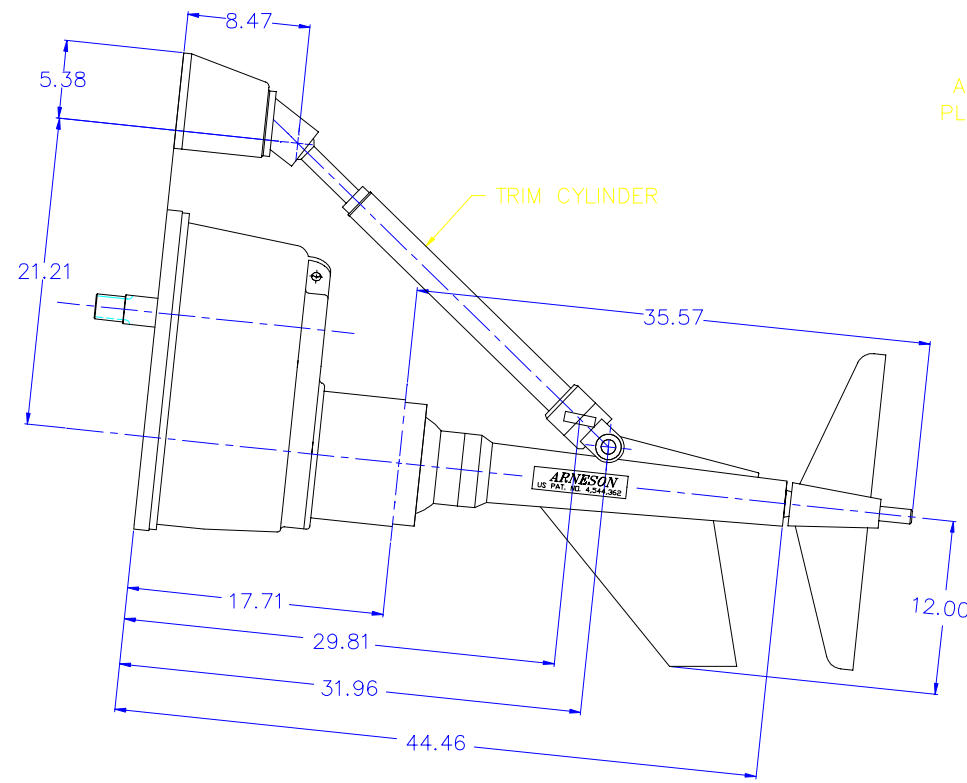
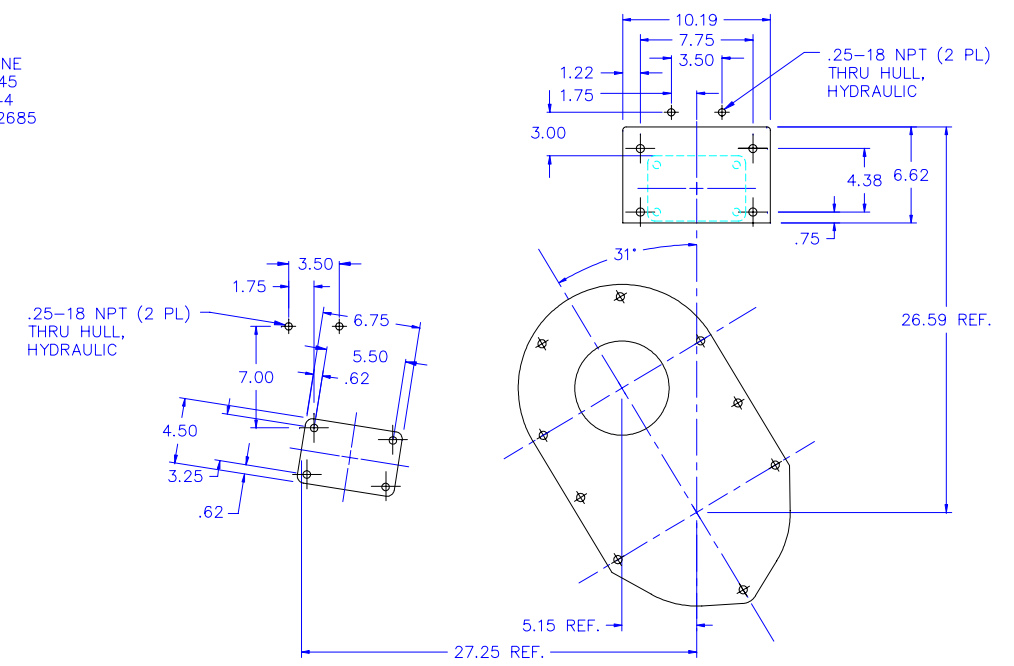
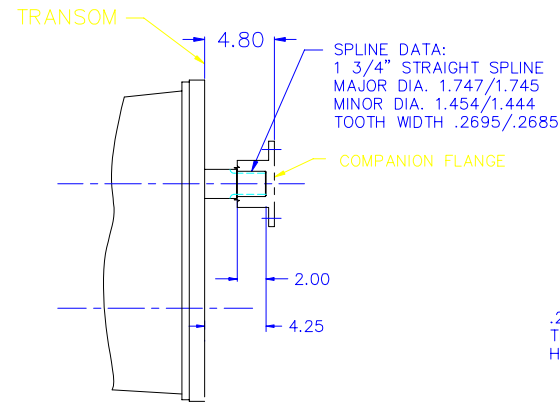
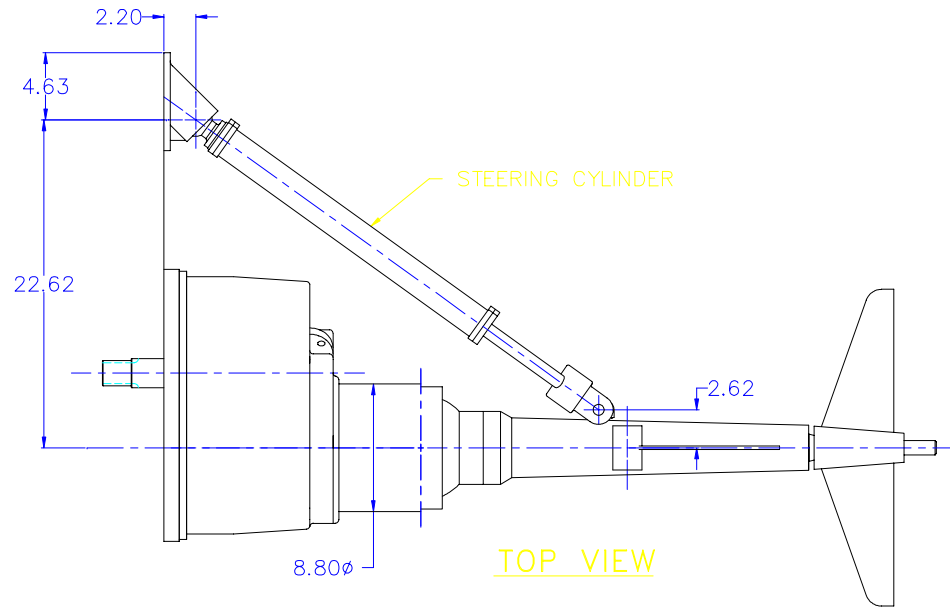



REVISIONS				
SYMBOL	DATE	DESCRIPTION	BY	APPROVED



- NOTES:**
- SPECIFICATIONS CURRENT AS OF DATE SHOWN IN TITLE BLOCK.
 - TRANSOM ANGLE:
 TRANSOM ANGLE FOR ASD UNITS TO BE 6 DEGREES TO VERTICAL, PLUS OR MINUS 1°. FOR TRANSOMS OUTSIDE OF THIS SPECIFICATION A MOUNTING WEDGE IS REQUIRED TO BRING THE MOUNTING ANGLE TO 6 DEGREES. WEDGES MAY BE SUPPLIED BY AMI. WITH THE USE OF A WEDGE THE POSITION OF THE TRIM AND STEERING CYLINDERS MAY CHANGE FROM THE POSITIONS DEPICTED ON THIS DRAWING.
 - REFER TO AMI. CATALOG FOR FACE DIMENSIONS OF COMPANION FLANGES.
 - BACKING PLATE DETAILS FOR ASD UNIT AS SHOWN. BACKING PLATE DETAILS FOR TRIM AND STEERING CYLINDERS ARE OF APPROXIMATE SIZE OF FOOTPRINT SHOWN.
 - DIMENSIONS VARY UP TO 1 INCH DEPENDING ON TRANSOM ANGLE. DIMENSIONS SHOWN BASED ON 6%SD TRANSOM ANGLE.

UNLESS OTHERWISE SPECIFIED DIMENSIONS AND TOLERANCES ARE IN INCHES AND SHALL BE INTERPRETED PER ANSI Y14.5M-1982. TOLERANCES ARE: .X ± .1 .XX ± .01 .XXX ± .005 .XXXX ± .0005 ANGLE ± 0°30'	DRAWN:		 ARNESON MARINE, INC. 451 Mirror Ct. #103 Henderson, NV 89015 (702)565-2205
	CHECKED:		
	APPROVED:		
TITLE: ASD 8 (10" C.B.) INTERFACE DRAWING		SIZE: D	DWG NO.: 002256
DO NOT SCALE DRAWING		SCALE: 1=6	RELEASE DATE: 4-25-89
		SHEET: 1	OF 1